



**NORDCONTENITORI & PALLET**

## 032P4I NR Z & 032P7I NR Z

### TECHNICAL DETAILS

#### 032P4I NR Z

Dimensions: 1200X800X140mm

Weight: 8,9 kg

Static flow rate: 3500 kg

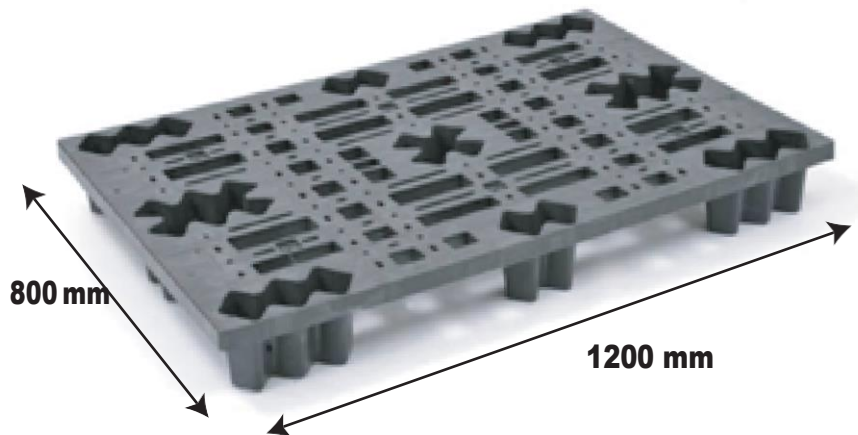
Dynamic: 1000 kg \*

Material: polypropylene

Standard color: black

Temperature range: -20° C/+60° C

Units per standard stack: 50



Stackable pallet available with or without perimeter sealing edges

\* Depending on the way of loading

### TECHNICAL DETAILS

#### 032P7I NR Z

Dimensions : 1200X1000X140mm

Weight: 10,8 kg

Static flow rate: 3500 kg

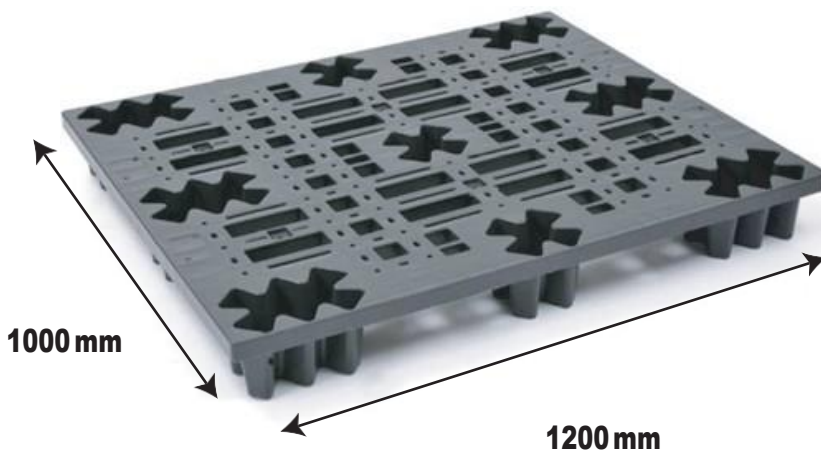
Dynamic range: 1000 kg \*

Material: polypropylene

Standard color: black

Temperature: - 20° C a + 60° C

Units per standard stack: 50



Stackable pallet available with or without perimeter sealing edges

For the P4I NR Z pallet upon request kit of 3 crosspiece: 2 on the sides wide 120 mm 1 central piece wide 170 mm with bayonet connection



For the P7I NR Z pallet upon request kit of 3 crosspieces: 3 wide 170 mm with bayonet connection

NORDCONTENITORI sas

Via Bergamo, 9 - 24030 Medolago (BG)

Tel. 035/902667 - Fax 035/4948692 & 035/902710

Web: [www.nordcontenitori.com](http://www.nordcontenitori.com)